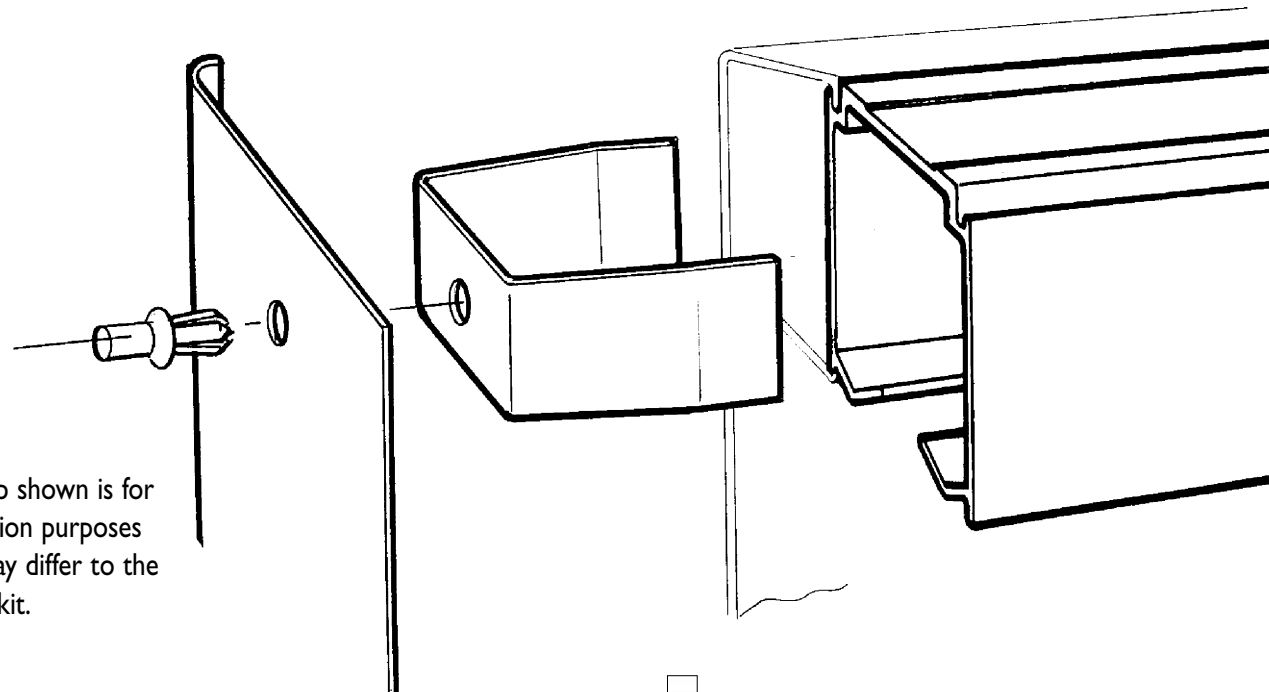


End Cap Fixing Instructions



The end cap shown is for representation purposes only and may differ to the one in this kit.

