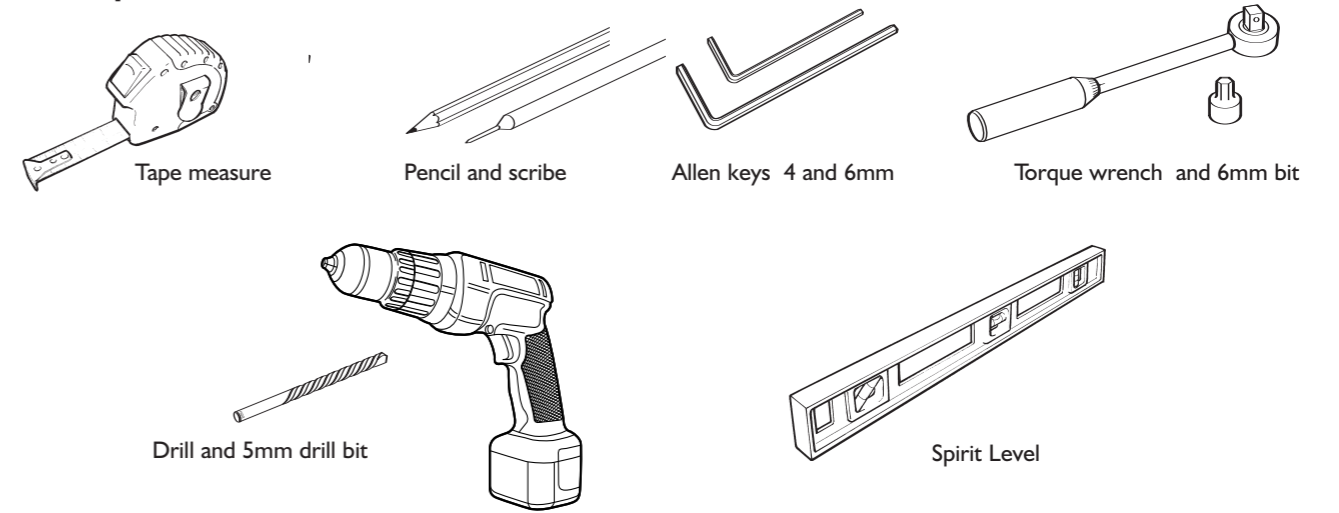


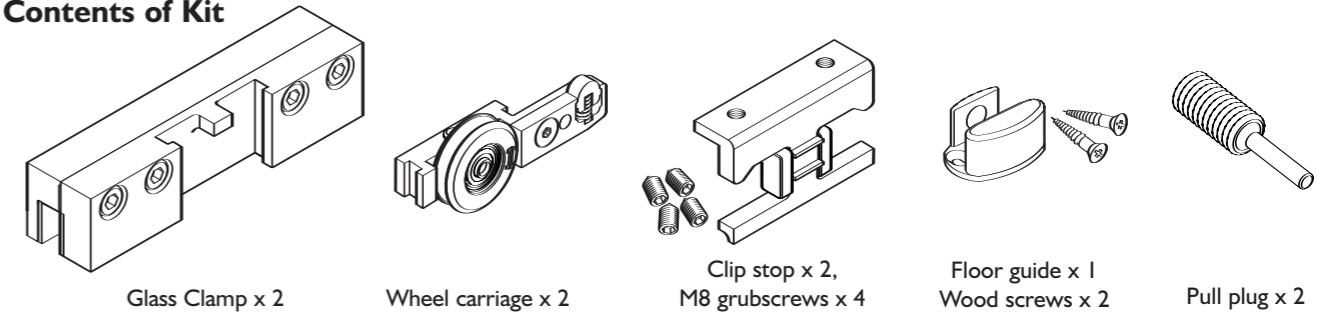
(All dimensions in mm)

FITTING INSTRUCTIONS - NOTICE DE POSE - MONTAGE HANDLEIDING - MONTAGEANLEITUNG  
ISTRUZIONI DI MONTAGGIO - INSTUCCIONES DE MONTAJE

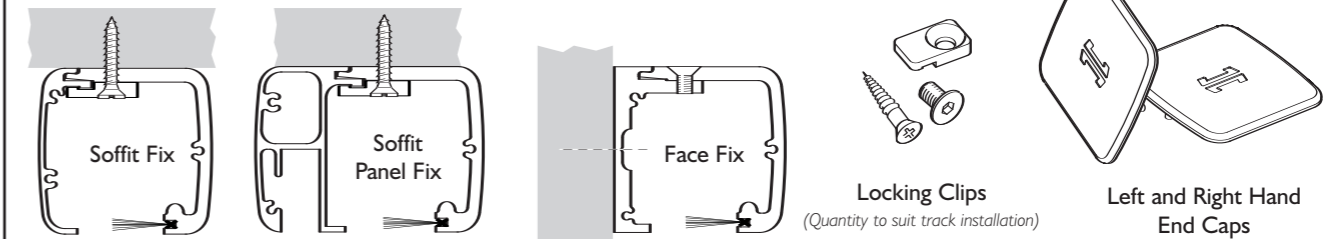
Tools Required



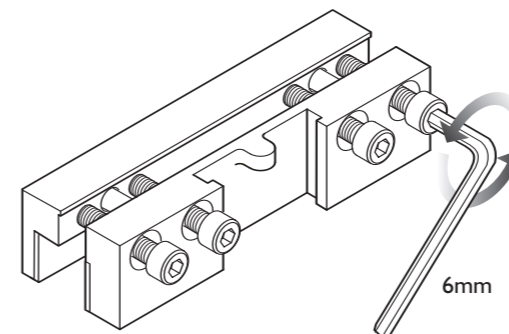
Contents of Kit



Track -Sold Separately

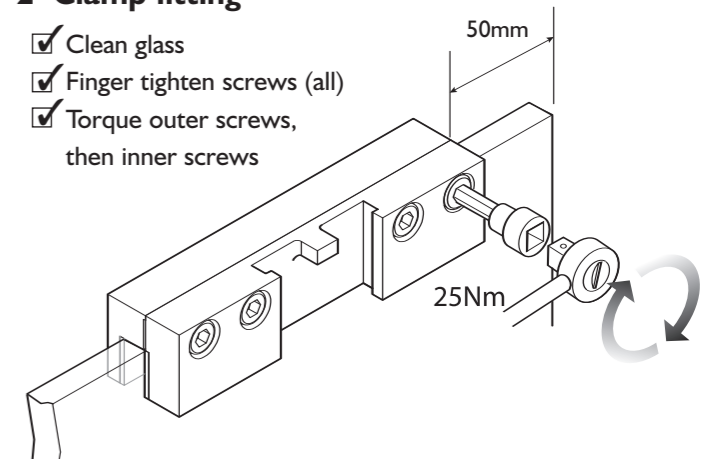


1 Unscrew to loosen clamp



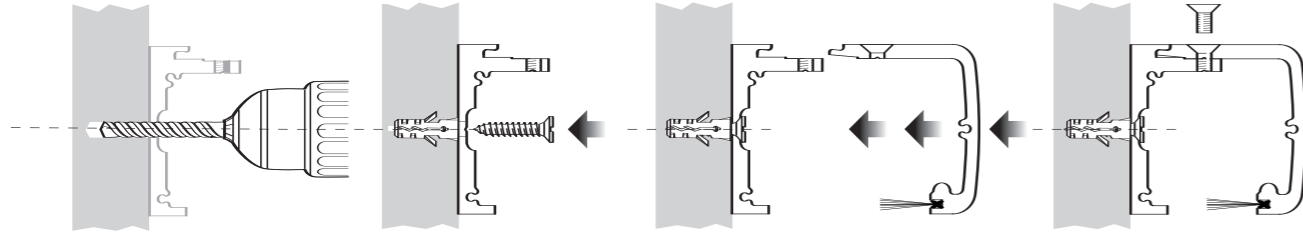
2 Clamp fitting

- Clean glass
- Finger tighten screws (all)
- Torque outer screws, then inner screws



### 3 Face Fix

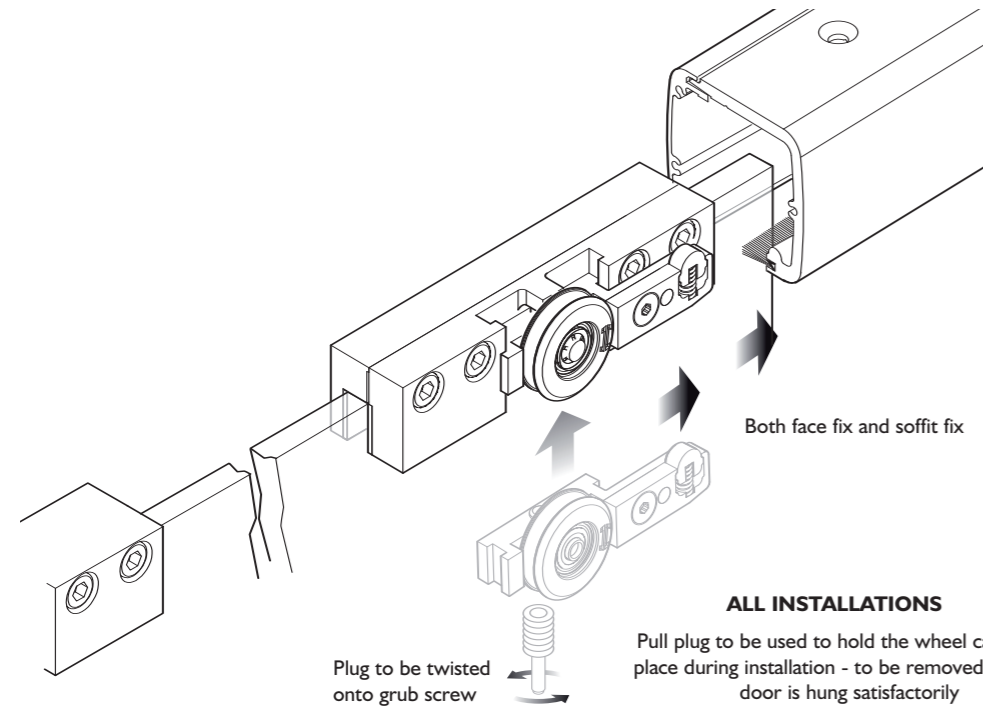
Drill Ø5 hole every 500mm equally spaced about the centre



Refer to figure 8 for fixing position

Rawlplug not supplied by PC Henderson

Track Length	Number of bolts
2000mm	5
2500mm	6
3000mm	7
3500mm	8
4000mm	9
5000mm	10
6000mm	11

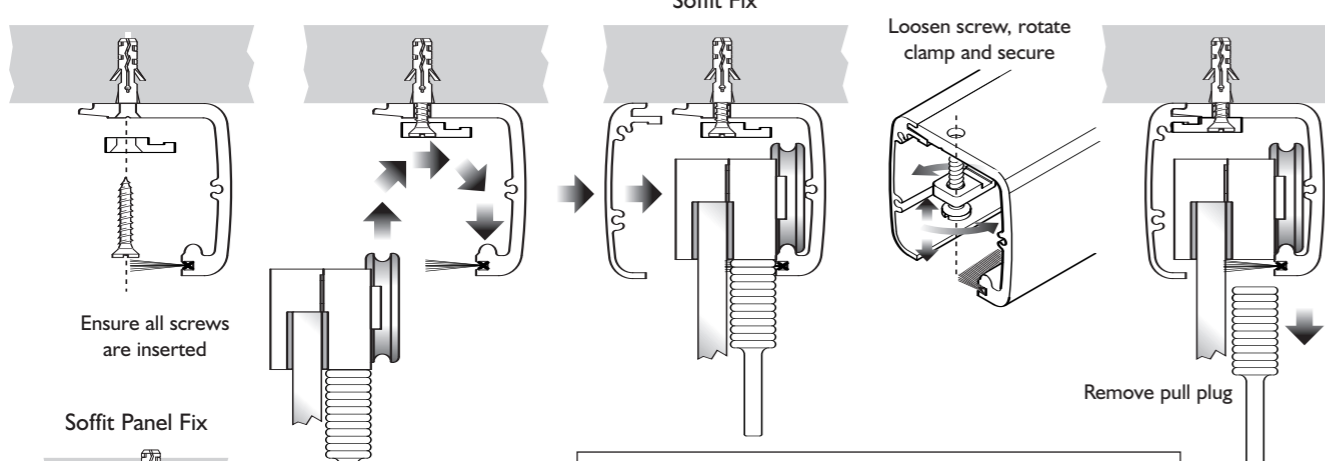


Plug to be twisted onto grub screw

**ALL INSTALLATIONS**  
Pull plug to be used to hold the wheel carriage in place during installation - to be removed once the door is hung satisfactorily

### 4 Soffit and Soffit Panel Fix

Rawlplug not supplied by PC Henderson

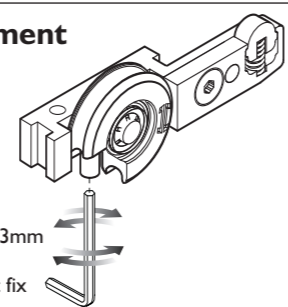


Ensure all screws are inserted

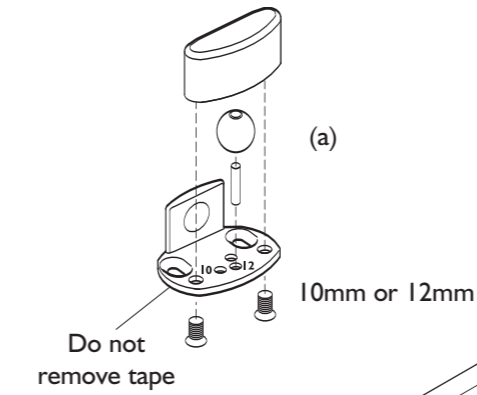
Soffit Panel Fix


#### 4.1 Height adjustment

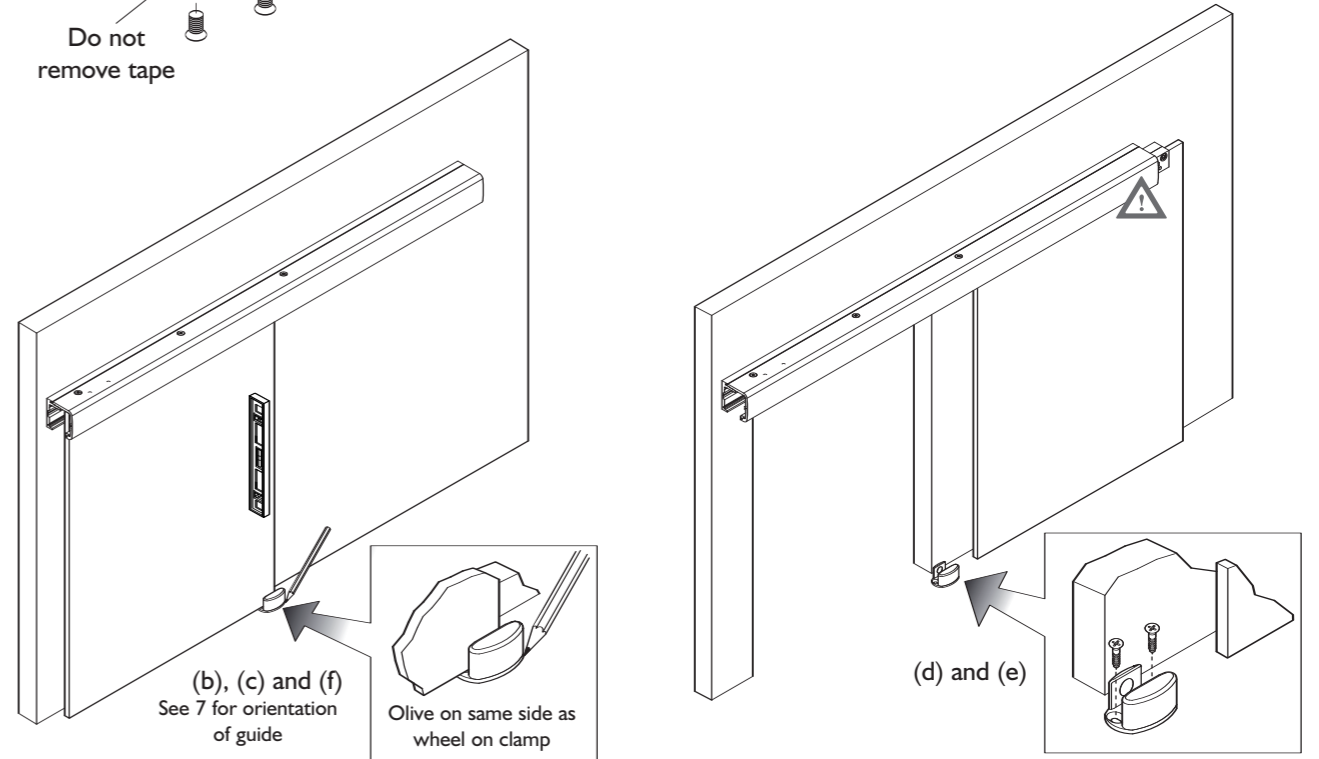
Adjustment  $\pm 3\text{mm}$   
Both face fix and soffit fix



### 5 Fit Floor Guide



- Set glass thickness - 10mm or 12mm (if required)
- Position floor guide - check level of glass door with spirit level
- Mark position in open or closed position
- Re-position glass door 
- Secure with screws
- Slide glass door back into floor guide



### 6 Install Clip Stops

- Insert the clip stop into the track
- Set distance
- Secure to track
- Attach end caps

