

PHANTOM



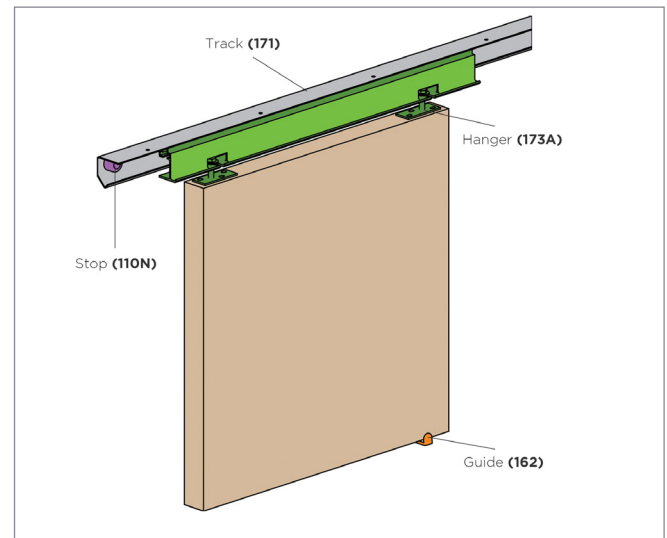
Watch the Installation Video
pchenderson.com/phantom-installation



For sliding wooden room dividers weighing up to 45kg



If a silent sliding mechanism is a priority, Phantom really delivers. Made for wooden doors weighing up to 45kg, between 610mm - 915mm wide and 30mm - 50mm thick, it can effortlessly divide virtually any room in a variety of environments. Phantom is ultra-quiet, frictionless and easy to operate. Two kits can be used to create a double door specification.



Product Information

Kit Order Code	No. of Doors	Track Length	Door Width Range	Door Thickness Range	Max. Door Weight
P9	1	1525mm	610 - 915mm	30 - 50mm	45kg

Kit Contents

Component	Short Code
Soffit Fixed Track (x 1)	171
Hanger (x 1)	173A
Nylon Guide (x 1)	162
Stop (x 1)	110N

Components can be specified separately for bespoke projects, contact P C Henderson for details.

Accessories



Round Flush Pull Set (**385/S**) satin, also available in chrome, black and polished brass



Square Flush Pull Set (**53/S**) satin, also available in chrome and black



Oval Flush Pull (**144S**) satin, also available in black



Rectangle Flush Pull (**125/S**) satin, also available in chrome

View our full range of accessories on page 136



Floor Mounted Stop (**103**)



Easyclose Self Door Closer (**SC100**)