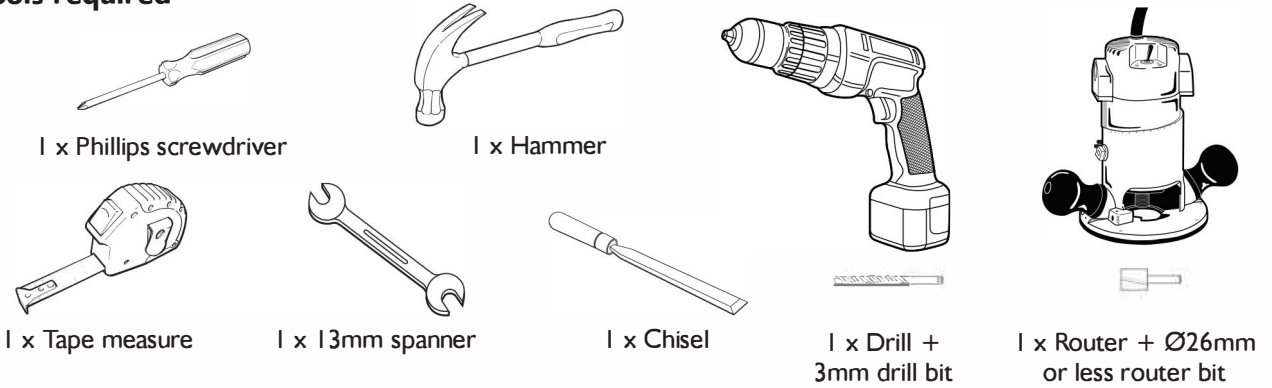


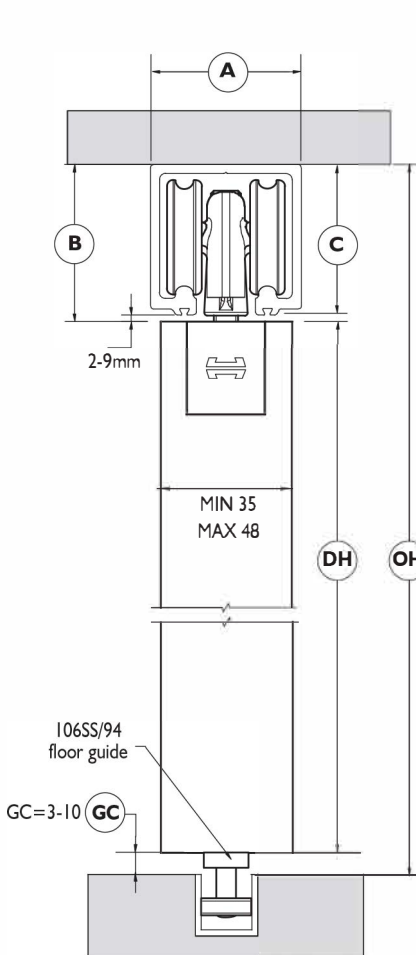
FITTING INSTRUCTIONS - NOTICE DE POSE - MONTAGE HANDLEIDING - MONTAGEANLEITUNG ISTRUZIONI DI MONTAGGIO - INSTUCCIONES DE MONTAJE

Low Headroom Installation Kit used to reduce the clearance between the track and door to a minimum of 2mm.
Please note the door thickness must be between 35mm and 48mm.

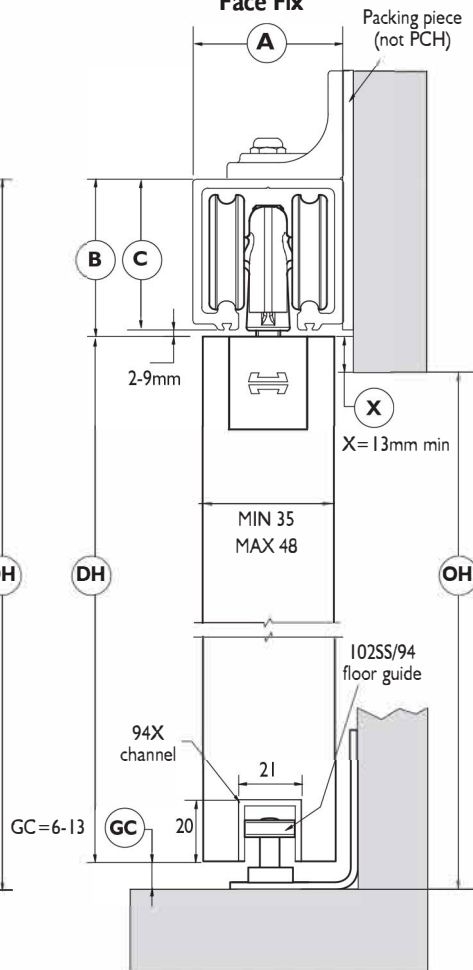
Tools required



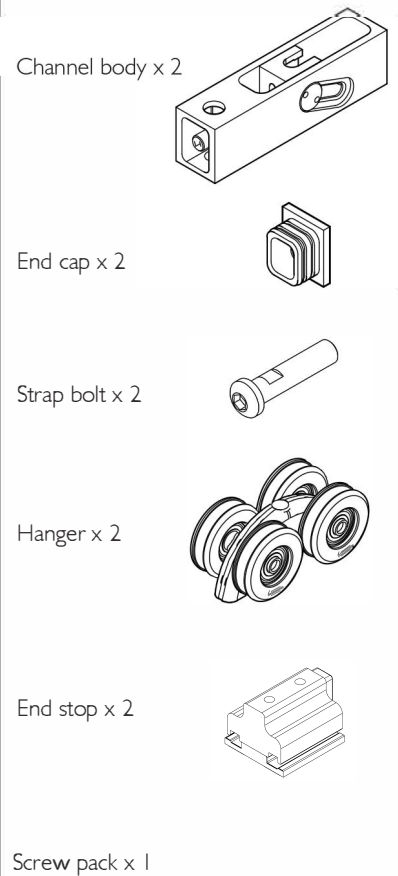
Soffit Fix



Face Fix



Parts included



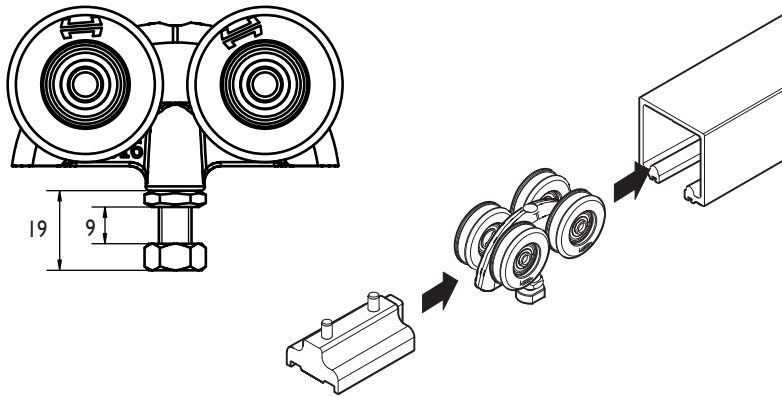
Sold separately

Track, floor guide and bottom rail

	120kg	180kg	250kg
(A)	41	47	50
(B)	33min - 40max	47min - 54max	52min - 59max
(C)	31	45	50

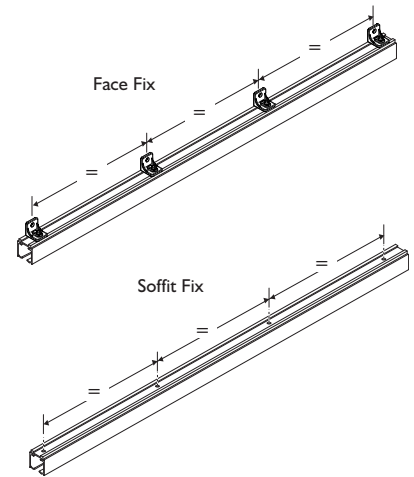
1

Set strap bolt as shown.



2

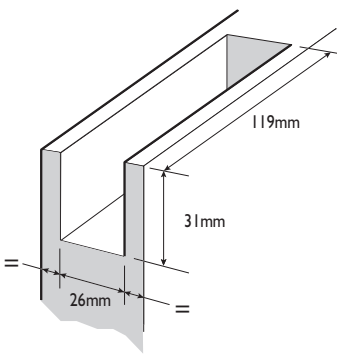
Brackets MAX spacing 900mm.



3

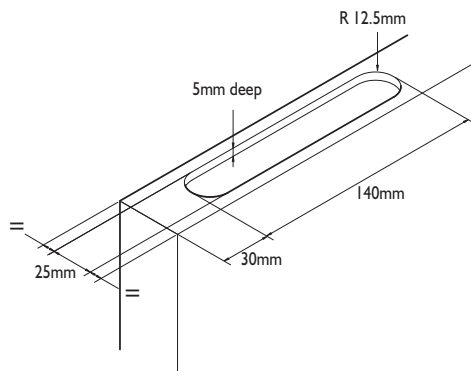
Routing details.

3.1 Channel bodies.



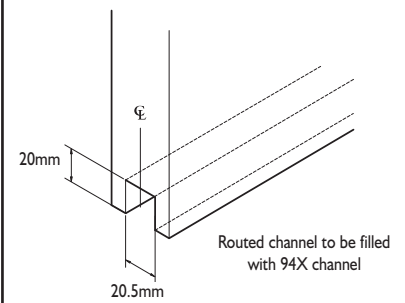
OPTIONAL

3.2 Soffit fix floor guide.



OPTIONAL

3.3 Face fix floor guide.

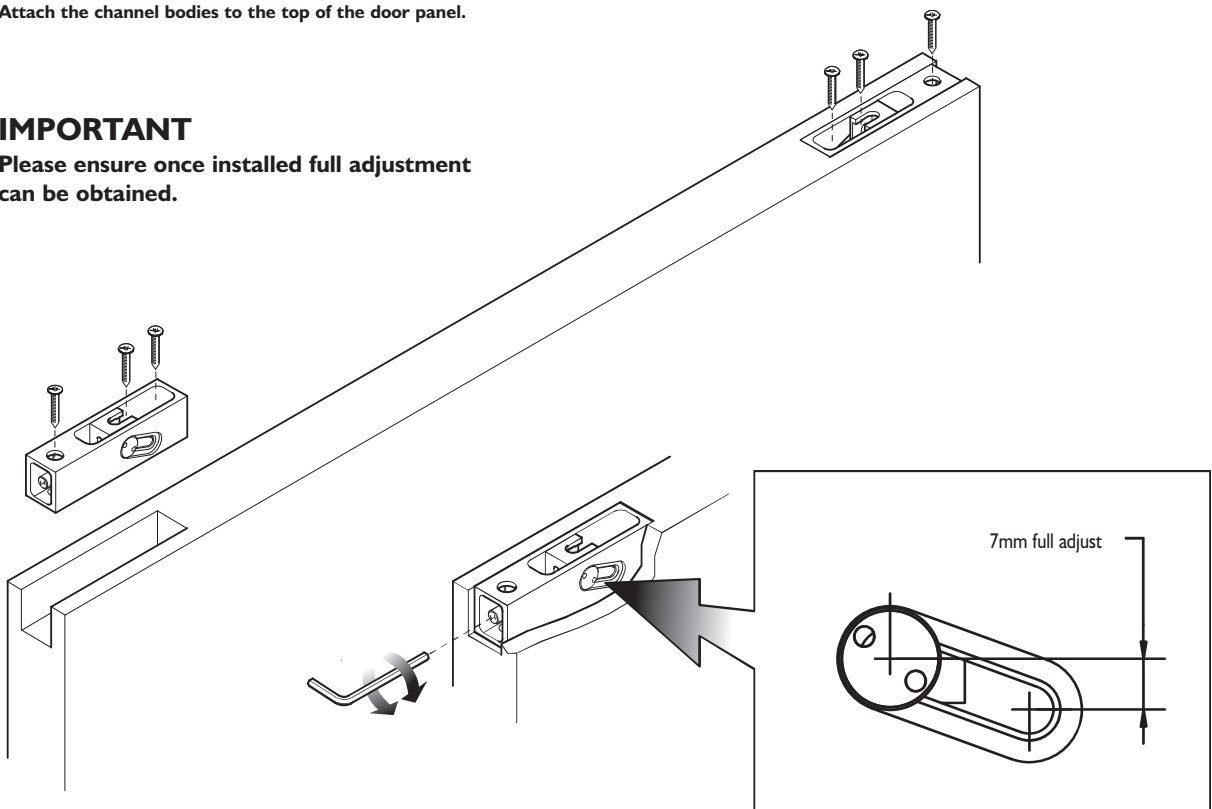


4

Attach the channel bodies to the top of the door panel.

IMPORTANT

Please ensure once installed full adjustment can be obtained.



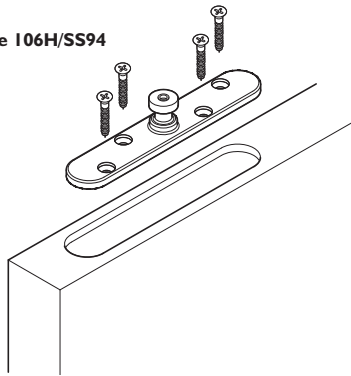
5

Attach the floor guides.

5.1 Soffit fix floor guide.

OPTIONAL

Guide 106H/SS94

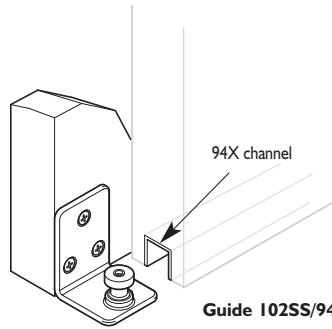


5.2 Face fix floor guide.

OPTIONAL

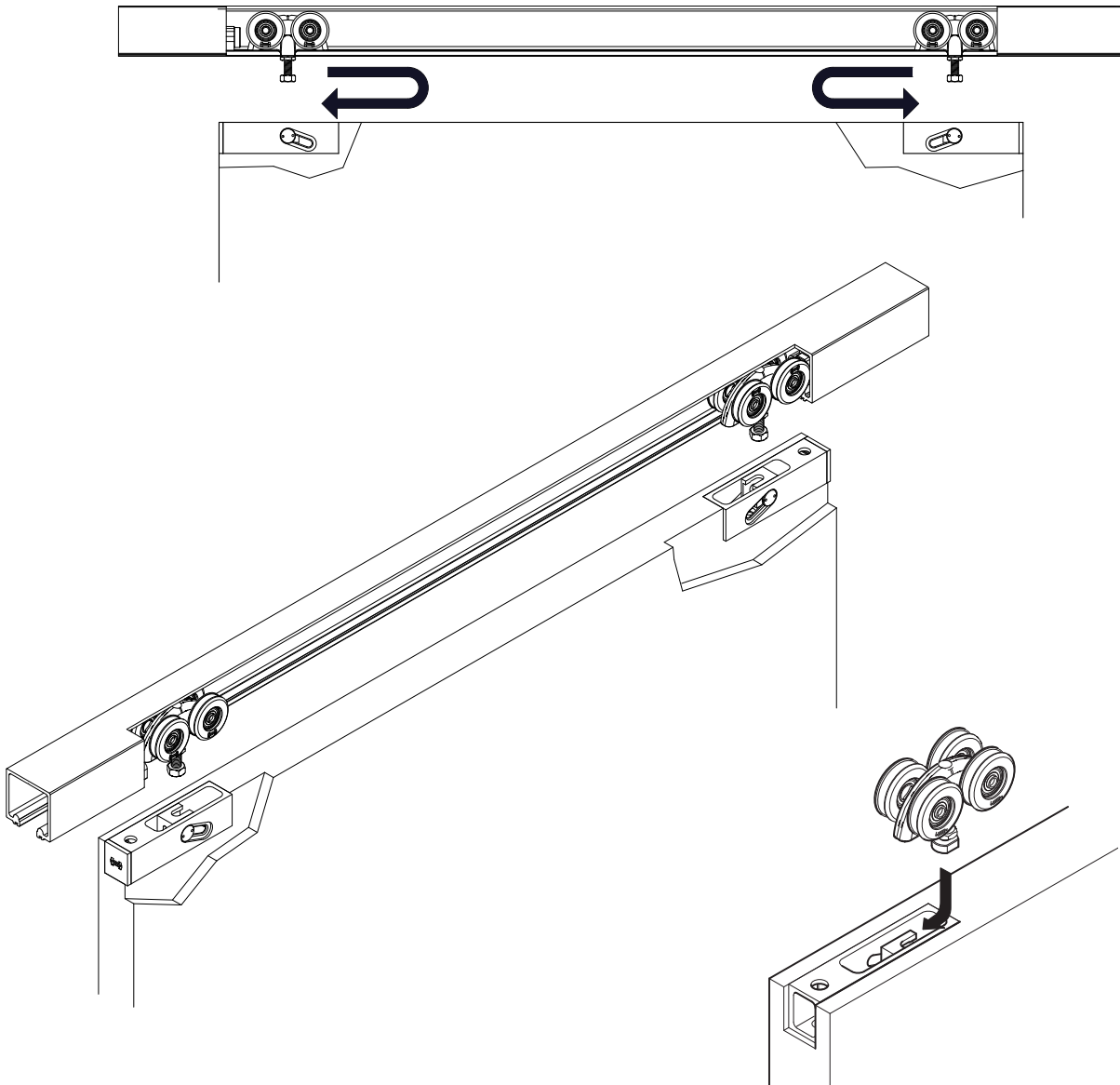
94X channel

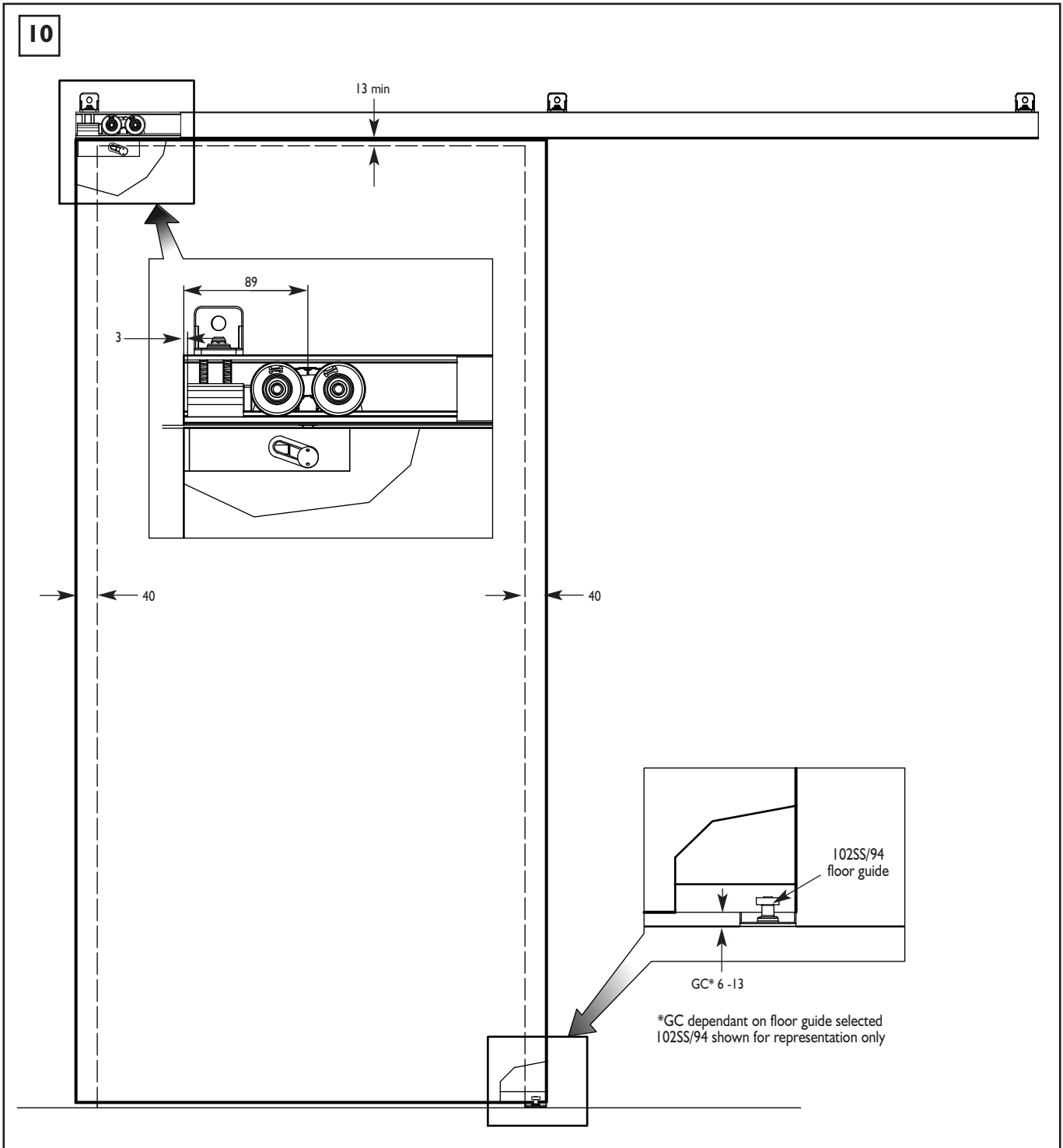
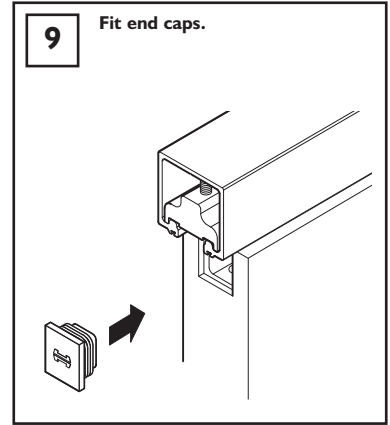
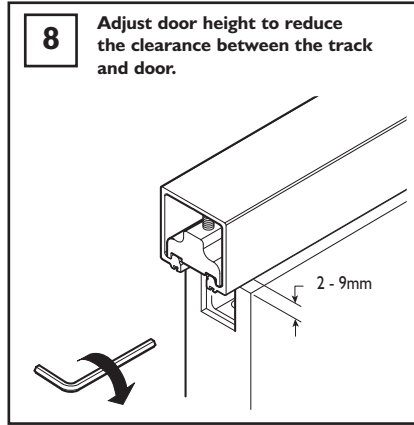
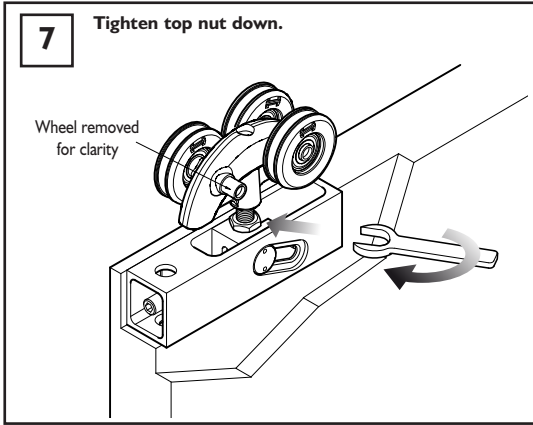
Guide 102SS/94



6

Ensure the slider body is in the highest position, lift the door into place onto the hanger strap bolts and tighten the top nut down.





All dimensions are in mm.